



Alma 4257

 EUREKA







dark anthracite



light white



## ALMA 4257

PROJECT	PROJET
SPEC TYPE	
NOTES	



### FINISH FINI



ANTE

### FAMILY FAMILLE

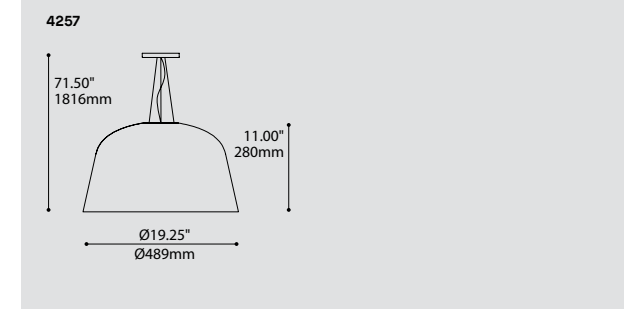
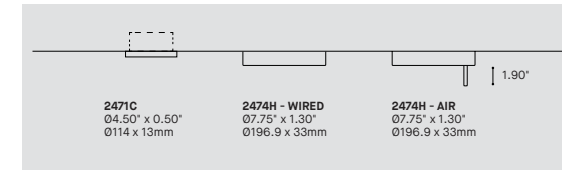


WHE



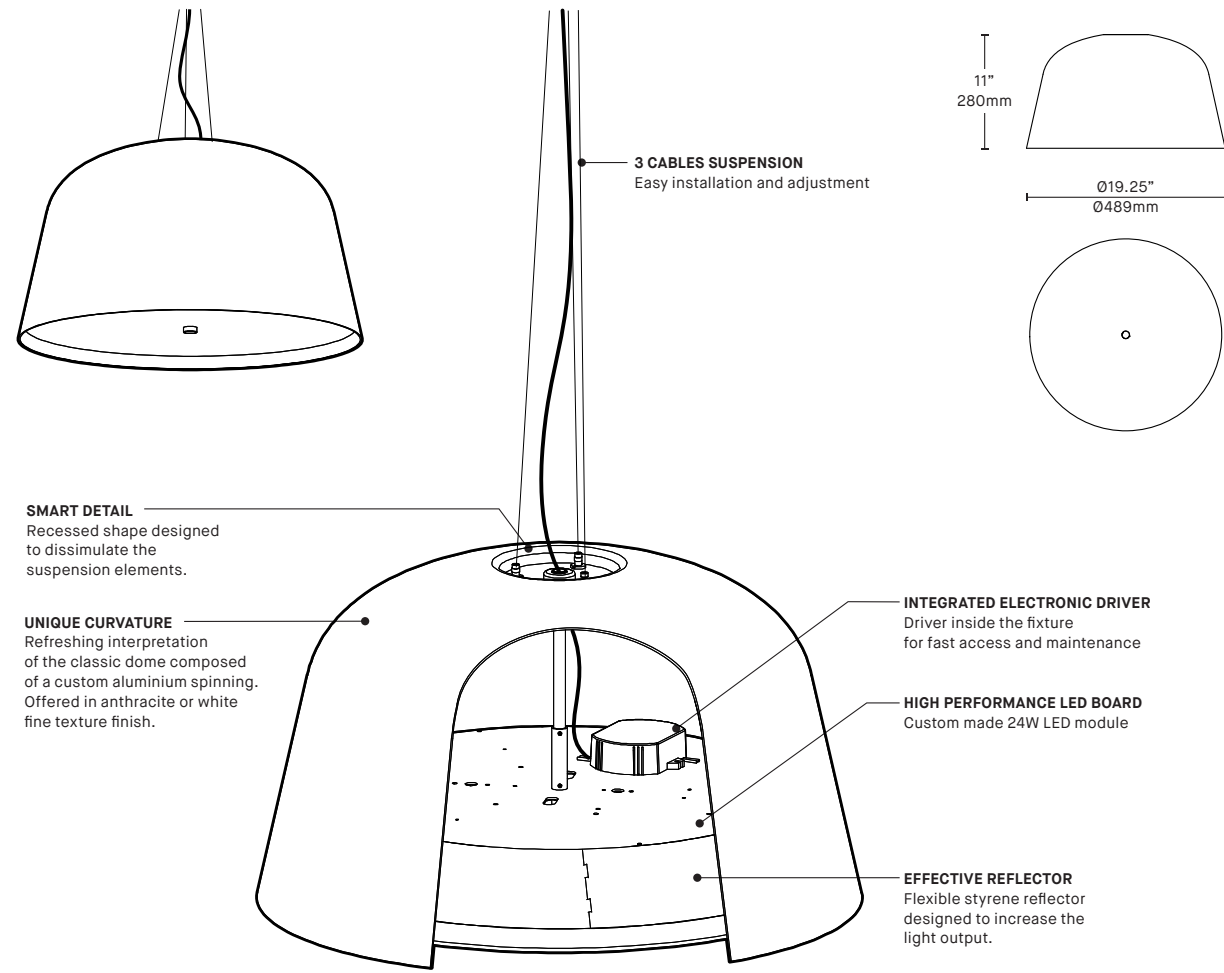
4259

### MOUNTING OPTIONS OPTIONS DE MONTAGE



ORDERING SPECIFICATION	SPÉCIFICATION DE COMMANDE	CODE				
MODEL	MODÈLE	4257				
4257	ALMA					
LIGHT SOURCE	SOURCE LUMINEUSE	LED.24				
LED.24	24W, LED					
COLOR TEMPERATURE	TEMPÉRATURE DE COULEUR					
27*	2700K					
30	3000K					
35	3500K					
40	4000K					
* LONGER LEAD TIME MAY APPLY, PLEASE CONTACT YOUR EUREKA REPRESENTATIVE						
COLOR RENDERING INDEX (CRI)	INDICE DE RENDU DE COULEUR (IRC)					
80	80+ CRI					
90*	90+ CRI					
* LONGER LEAD TIME MAY APPLY, PLEASE CONTACT YOUR EUREKA REPRESENTATIVE						
VOLTAGE	VOLTAGE					
120V	120 VOLT					
277V	277 VOLT					
CONTROL OPTION	OPTION DE CONTRÔLE					
DV	0-10V DIMMING (120V-277V)					
DP	PHASE DIMMING (120V ONLY)					
NLTAIR2*	NLIGHT AIR CONTROL GEN 2					
NLIGHT*	NLIGHT WIRED CONTROL					
*REQUIRES RC2 CANOPY						
* EMERGENCY BATTERY NOT AVAILABLE WITH NLIGHT OPTIONS						
REFER TO NLIGHT GUIDE AND INSTALLATION SHEET FOR ALL REQUIREMENTS.						
EMERGENCY BATTERY	BATTERIE D'URGENCE					
AVAILABLE WITH LED SOURCES 120-227V. EM DRIVER BOX INCLUDED, INSTALLED REMOTELY. SEE EM GUIDE FOR DETAILS.						
WITH DV DIMMING OPTION, AN ADDITIONAL POWER CABLE WILL DROP FROM CEILING NEXT TO MAIN CABLE.						
EMB*	EMERGENCY BATTERY FOR REMOTE BOX					
*3981EA ACCESSORY IS REQUIRED						
CABLE	CÂBLE	AC				
AC	AIRCRAFT MOUNTING & CLEAR CABLE, FIELD ADJUSTABLE					
CABLE LENGTH	LONGUEUR DE CÂBLE					
60	60" AIRCRAFT CABLE (STD LENGTH)					
**	CUSTOM AIRCRAFT CABLE LENGTH (PLEASE SPECIFY)					
FOR OVERALL LENGTH, PLEASE CONTACT YOUR EUREKA REPRESENTATIVE						
MOUNTING	MONTAGE					
ROUND CANOPY / PAVILLON ROND						
RC1	SCREWLESS 0.5" CANOPY (2471C)					
RC2	NLIGHT SCREWLESS CANOPY Ø7.75" X 1.30" (2474H)					
CANOPY FINISH	FINI PAVILLON					
WHE	WHITE FINE TEXTURE					
ANTE	ANTHRACITE FINE TEXTURE					
SHADE FINISH	FINI ABAT-JOUR					
WHE	WHITE FINE TEXTURE					
ANTE	ANTHRACITE FINE TEXTURE					
ACCESSORY	ACCESSOIRE					
3981EA	ELECTRICAL BOX FOR EMB EMERGENCY BATTERY					
PRODUCT CHARACTERISTICS	CARACTÉRISTIQUES DU PRODUIT					
BIM	DIM	EMB	IES	LED		
DESIGN:	With its unique curvature, Alma is a refreshing interpretation of the classic dome. Its friendly look and diffused light will enhance the character of your interior.					
INSTALLATION:	Easy to install, adjust and level triple aircraft cable mounting.					
LIGHT SOURCE:	24W custom LED light engine supplied with a standard dimming driver (0-10V or phase).					
CANOPY:	Die-formed steel canopy with a machined aluminum diffuser support.					
SHADE:	Custom spun aluminum shade anthracite or white architectural grade fine texture finishes.					
CERTIFIED:	c-CSA-us					
CONCEPTION:	Avec sa courbure unique, Alma est une interprétation rafraichissante du classique dôme. Son allure conviviale et sa lumière diffuse sauront donner du caractère à votre espace.					
INSTALLATION:	Câbles de retenue en acier facilitant l'installation, l'ajustement et la mise à niveau.					
SOURCE LUMINEUSE:	Module lumineux DEL de 24W fait sur mesure et unité d'alimentation à intensité variable standard (0-10V ou phase).					
PAVILLON:	Structure d'acier et support à diffuseur usiné en aluminium.					
ABAT-JOUR:	Abat-jour en métal repoussé avec une peinture anthracite ou blanche finement texturée de grade architectural.					

# TECHNICAL DATA



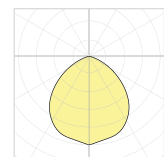
**PRODUCT SPECIFICATION 4257**

<b>PERFORMANCE</b>	
SYSTEM WATTAGE	30.7W
DELIVERED LUMENS (4000K)	2748 LM
EFFICACY	89.5LM/W
<b>OTHER INFORMATIONS</b>	
LUMINAIRE'S WEIGHT	10,61 LBS / 4,82 KG
L70 (LUMEN MAINTENANCE)	> 60 000 HRS
<b>WELL &amp; LEED STANDARD REQUIREMENTS</b>	
MAX. LUMINANCE 45°-90° OF NADIR	2791 CD/M <sup>2</sup>
LIGHT QUALITY	R9 > 50 (90 CRI OPTION)
FLICKERING TOLERANCE	LOW FLICKER, COMPLIANT TO CALIFORNIA TITLE 24

**EFFICACY MULTIPLIERS**

CRI	CCT	FACTOR
80+	4000K	1.00
80+	3500K	0.98
80+	3000K	0.94
80+	2700K	0.91
90+	4000K	0.88
90+	3500K	0.85
90+	3000K	0.81
90+	2700K	0.77

**LIGHT DISTRIBUTION**



4257



Visit our website for warranty terms and conditions.

## Discreet detail

Design shape that dissimulate the suspension elements





# Photometric Report

ALMA

## 4257-LED.24.40

CCT (K): 4000  
 Delivered Lumens (lm): 2748  
 Lumens per foot (lm): xx  
 System wattage (W)\*: 30.7  
 Distribution: Direct  
 Delivered Efficacy (lm/W): 89.5  
 Photometric type: C

### Luminous dimensions

Luminous shape: Rectangle  
 Units: in (mm)  
 0-180 Axis: 1.6 (40.64)  
 90-270 Axis: 1.6 (40.64)  
 Height: 0.9 (22.86)

### Luminaire spacing criteria

2 luminaires, plane 0: 1.24  
 2 luminaires, plane 90: 1.24  
 4 luminaires: 1.31

\*System wattage include driver and LED module consumption

